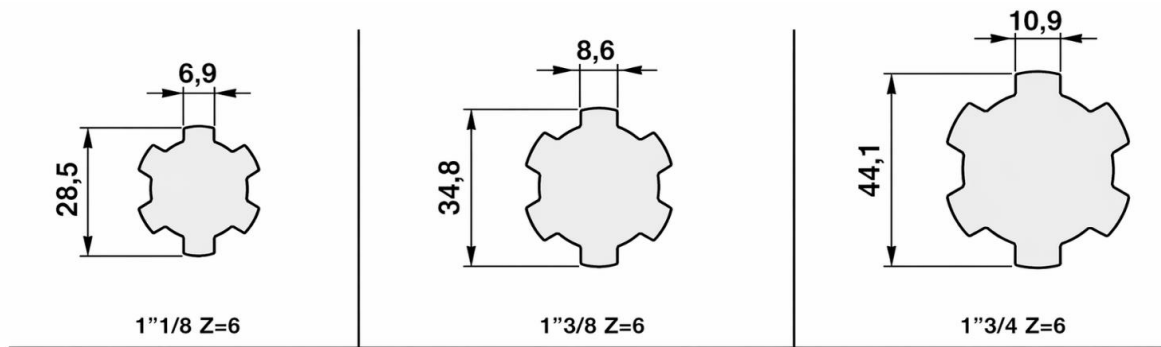


DATA SHEET – DIMENSIONS

PTO ADAPTER WITH PIN



ITEM	EXTERNAL PROFILE	INTERNAL PROFILE	TOTAL LENGTH (mm)	APPLICATION / NOTES
100097	1" 1/8	1" 3/8	150	Extension from reduced to standard - Hardened R 80/85 kg/mm ²
100118	1" 3/8			Standard 1" 3/8 extension - Hardened R 80/85 kg/mm ²
100098		1" 3/4	165	Extension from standard to increased - Hardened R 80/85 kg/mm ²
100119	1" 3/4			Extension 1" 3/4 - Increased
100114		1" 3/8	Extension from increased to standard	